

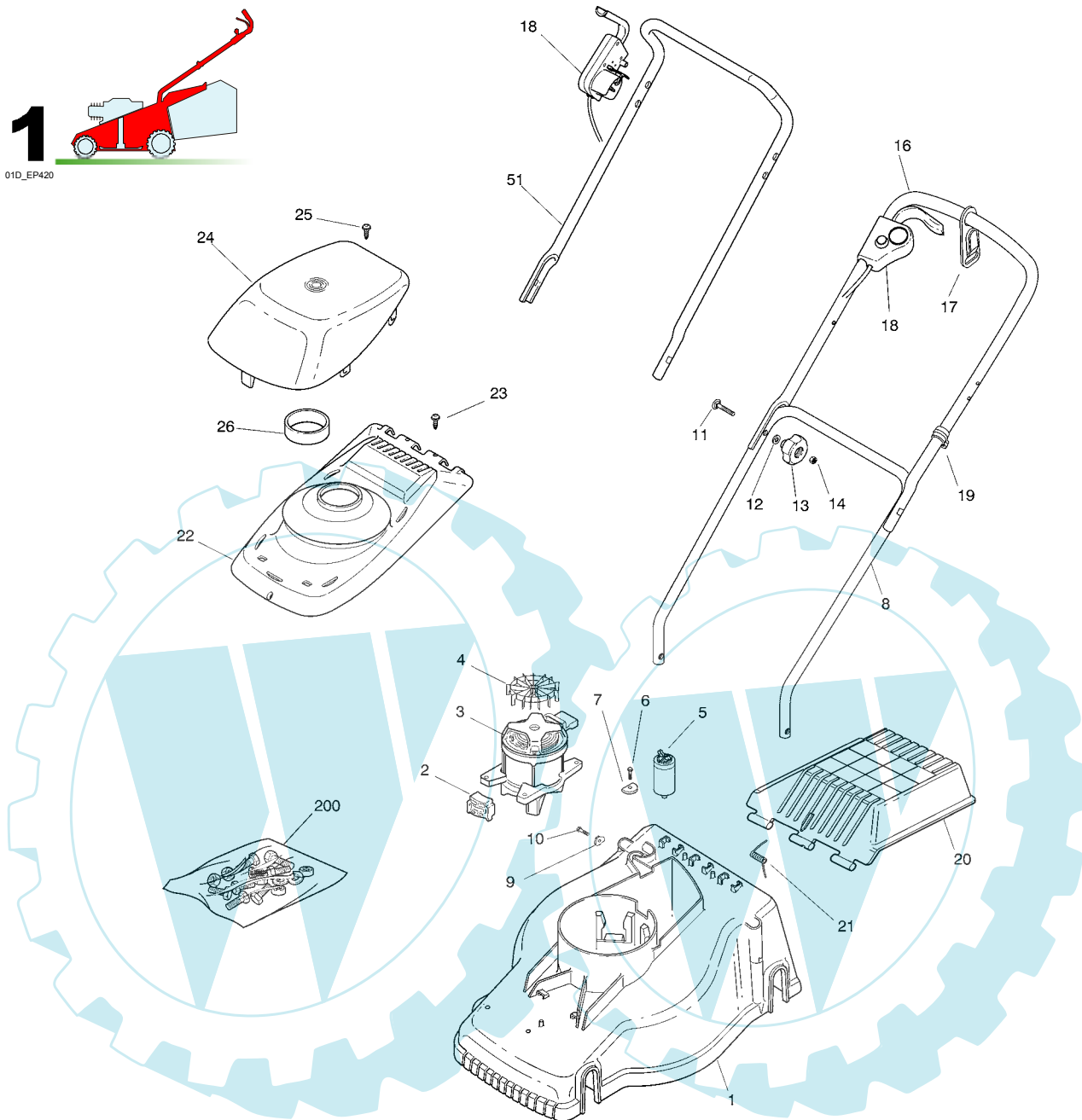
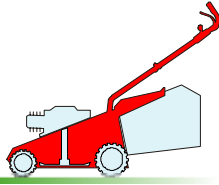


107

GLOBAL GARDEN PRODUCTS

1

01D_EP420



Pos.	Code	Q.ty	Descrizione	Description	Description	Beschreibung	Remarks
1	22066690/0	1	CHASSIS ROSSO	DECK RED	CHÂSSIS ROUGE	GEHÄUSE ROT	
-	22066689/0	1	CHASSIS VERDE	DECK GREEN	CHÂSSIS VERT	GEHÄUSE GRÜN	
2	22250010/0	4	GOMMINO	GROMMET	PROCTECION	SCHUTZ	
3	18563615/0	1	MOTORE	MOTOR	MOTEUR	MOTOR	1100W 230V 50 Hz
-	18563616/0	1	MOTORE	MOTOR	MOTEUR	MOTOR	1300W 230V 50 Hz
4	18740055/0	1	VENTOLA PER MOTORE	FAN MOTOR	VENTILATEUR MOTEUR	LÜFTER MOTOR	
5	18222046/0	1	CONDENSATORE	CONDENSER	CONDENSEUR	KONDENSATOR	
6	12728688/0	1	VITE	SCREW	VIS	SCHRAUBE	
7	12523050/0	1	ROSETTA	WASHER	RONDELLE	SCHEIBE	
8	81006567/0	1	MANICO INFERIORE	HANDLE, LOWER PART	MANCHERON INFERIEURE	HOLM, UNTERTEIL	
9	22545135/0	2	PIASTRINA	PLATE	PLAQUETTE	PLÄTTCHEN	
10	12728099/1	2	VITE	SCREW	VIS	SCHRAUBE	
11	12819110/0	2	VITE	SCREW	VIS	SCHRAUBE	
12	12521350/0	2	ROSETTA	WASHER	RONDELLE	SCHEIBE	
13	22399804/0	2	MANOPOLINA	KNOB	POIGNÉE	GRIFF	



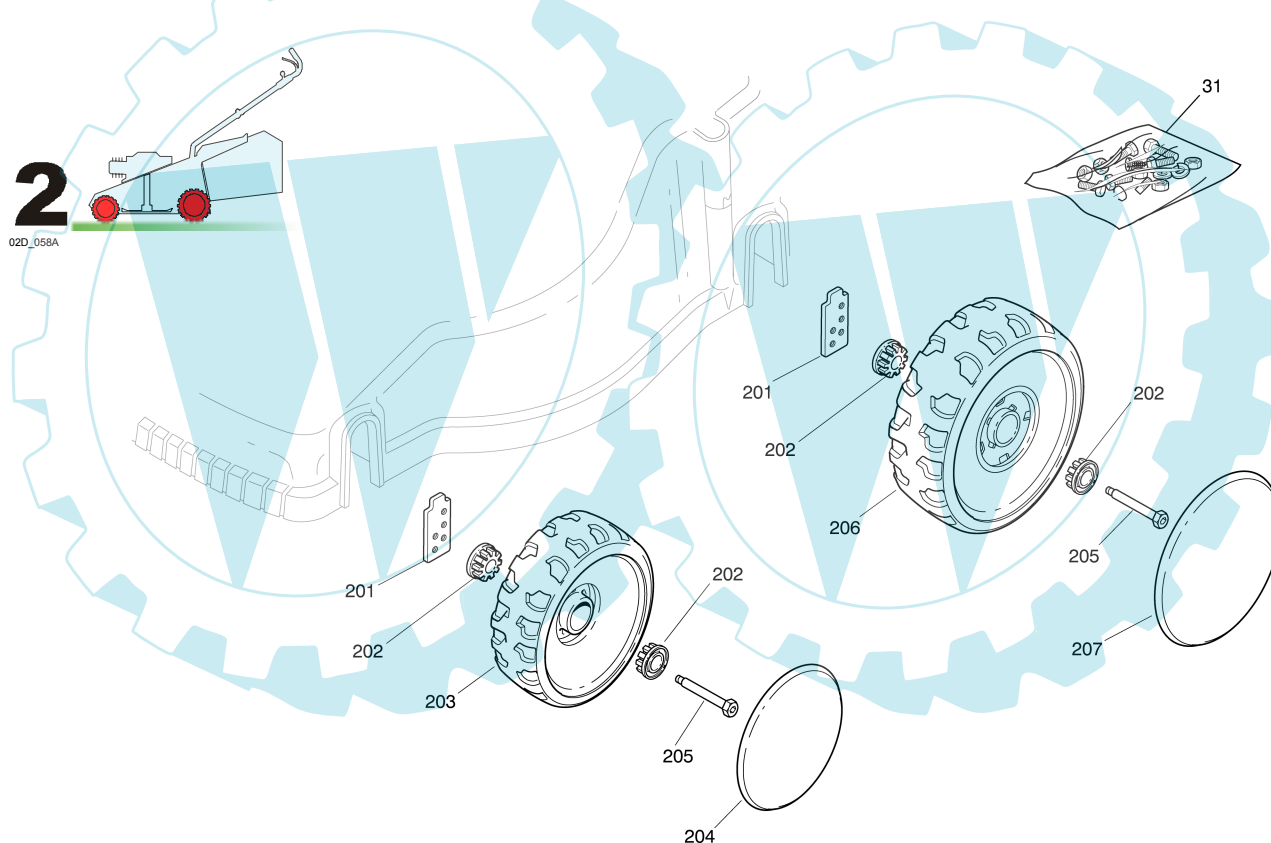
107

GLOBAL GARDEN PRODUCTS

Pos.	Code	Q.ty	Descrizione	Description	Description	Beschreibung	Remarks
14	12293200/0	2	DADO	NUT	ECROU	MUTTER	
16	81006572/1	1	MANICO SUPERIORE	HANDLE, UPPER PART	MANCHERON SUPERIEURE	HOLM, OBERTEIL	
17	22195101/4	1	FERMACAVO	FAIRLEAD	FIXATION CABLE	KABELBEFESTIGUNG	
18	-	1	SALVAMOTORE	DEAD HAND SWITCH	INT. MAIN MORTE	TOT MANSCHALTER	(SEE ENCLOSURE 2)
19	22192151/0	1	FERMACAVO	FAIRLEAD	FIXATION CABLE	KABELBEFESTIGUNG	
20	22600079/0	1	PARASASSI	STONE-GUARD	PARE-PIERRES	PRALLBLECH	
21	22450430/0	1	MOLLA	SPRING	RESSORT	FEDER	
22	22785131/1	1	SUPPORTO CAPOTTINA	SUPPORT, COVER	SUPPORT CAPOT	HALTER, HAUBE	
23	12728686/0	5	VITE	SCREW	VIS	SCHRAUBE	
24	22055071/0	1	CAPOTTINA	COVER	CAPOT	HAUBE	
25	12728687/0	2	VITE	SCREW	VIS	SCHRAUBE	
26	22020072/0	1	PROTEZIONE	PROTECTION	PROTECTION	SCHUTZ	

VARIANTE MANICO SUPERIORE - UPPER HANDLE MODIFICATION - MODIFICATION MANCHERON SUPERIEURE - UBERHOLM ÄNDERUNGEN

Pos.	Code	Q.ty	Descrizione	Description	Description	Beschreibung	Remarks
51	81006571/0	1	MANICO SUPERIORE	HANDLE, UPPER PART	MANCHERON SUPERIEURE	HOLM, OBERTEIL	



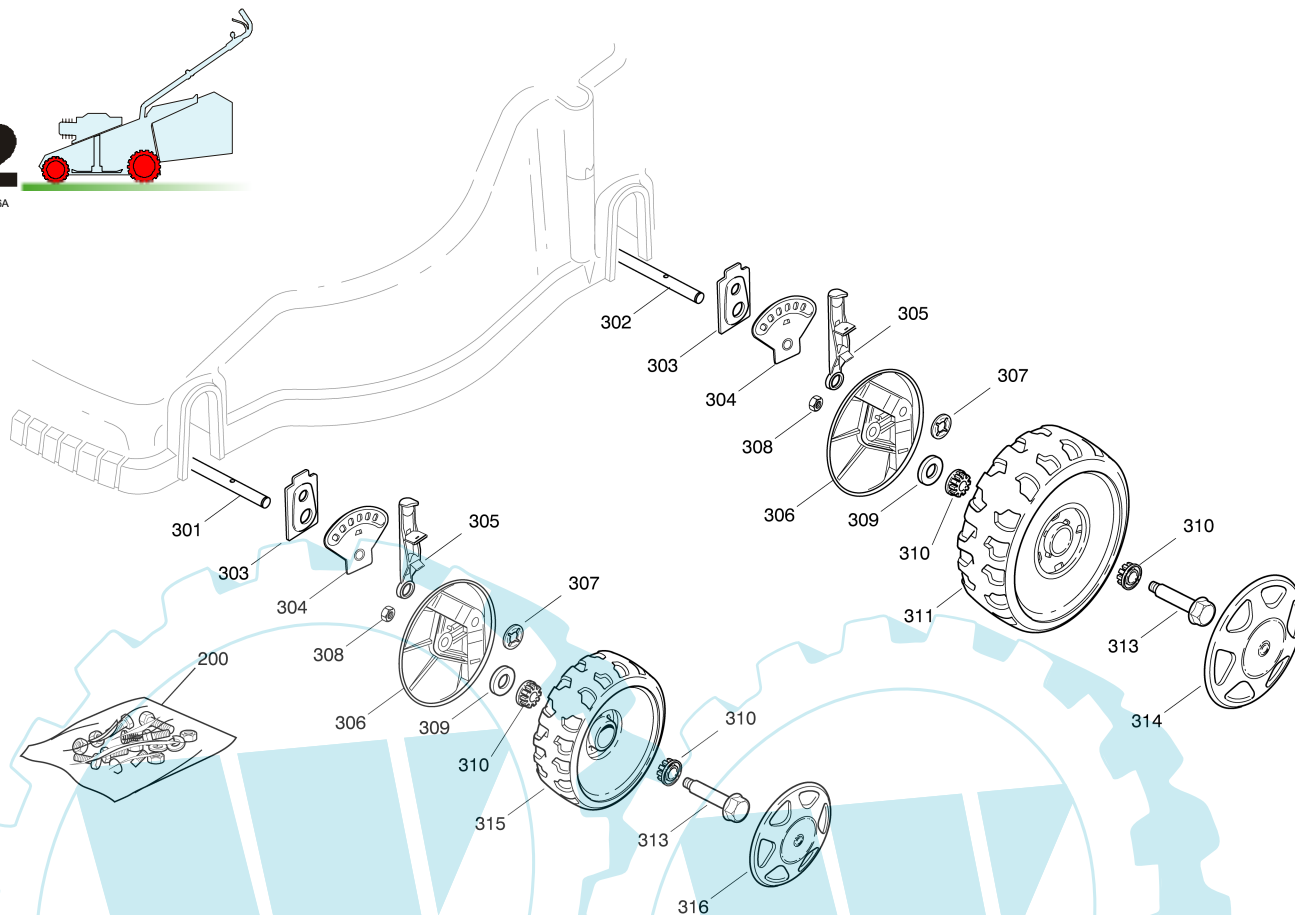
Pos.	Code	Q.ty	Descrizione	Description	Description	Beschreibung	Remarks
200	81008671/0	4	DOTAZIONE VITERIA	OUTFIT, SCREWS	DOTATION VISSERIE	SATZ, SCHRAUBEN	
201	22785093/0	4	SUPPORTO RUOTA	SUPPORT, WHEEL	SUPPORT ROUE	HALTER, RAD	
202	22034515/1	8	BUSSOLA	BUSH	DOUILLE	BUCHSE	
203	22686091/1	2	RUOTA Ø 165	WHEEL Ø 165	ROUE Ø 165	RAD Ø 165	
204	22110262/0	2	COPRIMOZZO BIANCO	HUB CAP WHITE	COUVRE-MOYEU BLANC	RADKAPPE WEIß	
205	22524340/0	4	PERNO	PIN	PIVOT	BOLZEN	
206	22686092/0	2	RUOTA Ø 190	WHEEL Ø 190	ROUE Ø190	RAD Ø 190	
207	22110265/0	2	COPRIMOZZO BIANCO	HUB CAP WHITE	COUVRE-MOYEU BLANC	RADKAPPE WEIß	



GLOBAL GARDEN PRODUCTS

2

02D_046A



VARIANTE REGOLAZIONE RUOTE - WHEEL ADJUSTMENT MODIFICATION - MODIFICATION REGLAGE ROUES - ÄNDERUNG RADEINSTELL

Pos.	Code	Q.ty	Descrizione	Description	Description	Beschreibung	Remarks
200	81008653/0	4	DOTAZIONE VITERIA	OUTFIT, SCREWS	DOTATION VISSERIE	SATZ, SCHRAUBEN	
301	22033363/0	1	ASSE	AXLE	AXE	ACHSE	
302	22033362/0	1	ASSE	AXLE	AXE	ACHSE	
303	22785135/0	4	SUPPORTO	SUPPORT	SUPPORT	HALTER	
304	22735555/0	4	SETTORE DI REGOLAZIONE	SECTOR, HEIGHT ADJUSTMENT	SECTEUR REGLAGE	SEKTOR, HÖHEVERSTELLUNG	
305	81003306/0	4	LEVA REGOLAZIONE ALTEZZA	LEVER, HEIGHT ADJUSTMENT	LEVIER REGLAGE HAUTEUR	HEBEL, HÖNEVERSTELLUNG	
306	22600096/0	4	PROT. RUOTE	PROTECTION, WHEEL	PROTECTION ROUE	SCHÜTZ, RÄDER	
307	22020050/0	4	ANELLO ELASTICO	SNAP RING	ANNEAU RESSORT	SPRENGRING	
308	12155000/0	4	DADO	NUT	ECROU	MUTTER	
309	25670011/0	4	ROSETTA	WASHER	RONDELLE	SCHEIBE	
310	22034508/0	8	BUSSOLA	BUSH	DOUILLE	BUCHSE	
311	22686092/0	2	RUOTA Ø 190	WHEEL Ø 190	ROUE Ø190	RAD Ø 190	
313	22524341/0	4	PERNO	PIN	PIVOT	BOLZEN	
314	22110313/0	2	COPRIMOZZO BIANCO	HUB CAP WHITE	COUVRE-MOYEU BLANC	RADKAPPE WEIßE	
315	22686091/1	2	RUOTA Ø 165	WHEEL Ø 165	ROUE Ø 165	RAD Ø 165	
316	22110344/0	2	COPRIMOZZO BIANCO	HUB CAP WHITE	COUVRE-MOYEU BLANC	RADKAPPE WEIßE	

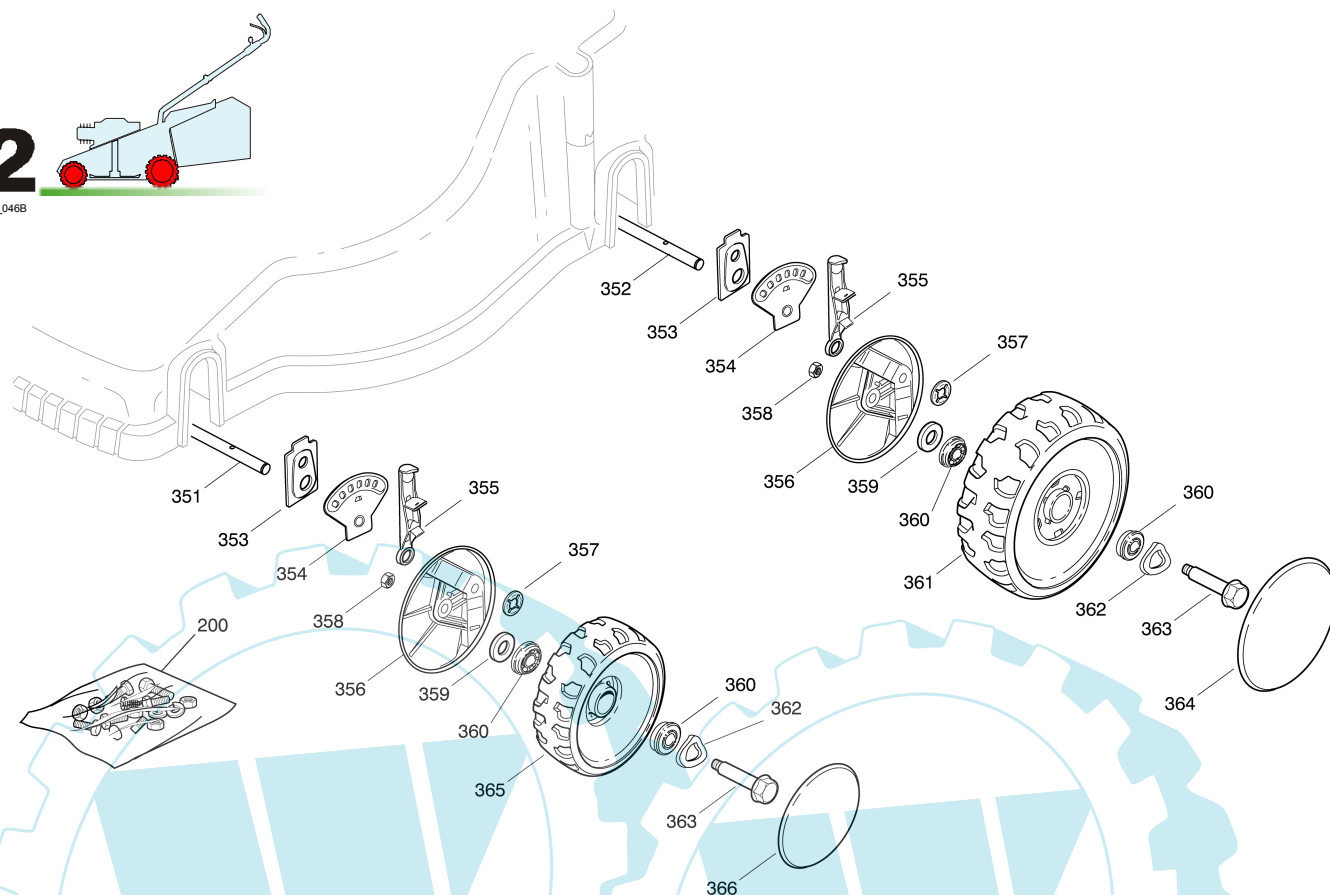


107

GLOBAL GARDEN PRODUCTS

2

02D_046B



VARIANTE REGOLAZIONE RUOTE SU CUSCINETTI - WHEEL ON BEARINGS ADJUSTMENT MODIFICATION - MODIFICATION REGLAGE ROUES SUR COUSSINETS - ÄNDERUNG RADEINSTELL MIT LAGER

Pos.	Code	Q.ty	Descrizione	Description	Description	Beshreibung	Remarks
200	81008653/0	1	DOTAZIONE VITERIA	OUTFIT, SCREWS	DOTATION VISSERIE	SATZ, SCHRAUBEN	
351	22033363/0	1	ASSE	AXLE	AXE	ACHSE	
352	22033362/0	1	ASSE	AXLE	AXE	ACHSE	
353	22785135/0	4	SUPPORTO	SUPPORT	SUPPORT	HALTER	
354	22735555/0	4	SETTORE DI REGOLAZIONE	SECTOR, HEIGHT ADJUSTMENT	SECTEUR REGLAGE	SEKTOR, HÖHEVERSTELLUNG	
355	81003306/0	4	LEVA REGOLAZIONE ALTEZZA	LEVER, HEIGHT ADJUSTMENT	LEVIER REGLAGE HAUTEUR	HEBEL, HÖNEVERSTELLUNG	
356	22600096/0	4	PROT. RUOTE	PROTECTION, WHEEL	PROTECTION ROUE	SCHÜTZ, RÄDER	
357	22020050/0	4	ANELLO ELASTICO	SNAP RING	ANNEAU RESSORT	SPRENGRING	
358	12155000/0	4	DADO	NUT	ECROU	MUTTER	
359	25670011/0	4	ROSETTA	WASHER	RONDELLE	SCHEIBE	
360	22122200/0	8	CUSCINETTO	BEARING	COUSSINET	LAGER	
361	22686092/0	2	RUOTA Ø 190	WHEEL Ø 190	ROUE Ø190	RAD Ø 190	
362	22675100/0	4	ROSETTA	WASHER	RONDELLE	SCHEIBE	
363	22524341/0	4	PERNO	PIN	PIVOT	BOLZEN	
364	22110265/0	2	COPRIMOZZO BIANCO	HUB CAP WHITE	COUVRE-MOYEU BLANC	RADKAPPE WEIß	
365	22686091/1	2	RUOTA Ø 165	WHEEL Ø 165	ROUE Ø 165	RAD Ø 165	
366	22110262/0	2	COPRIMOZZO BIANCO	HUB CAP WHITE	COUVRE-MOYEU BLANC	RADKAPPE WEIß	

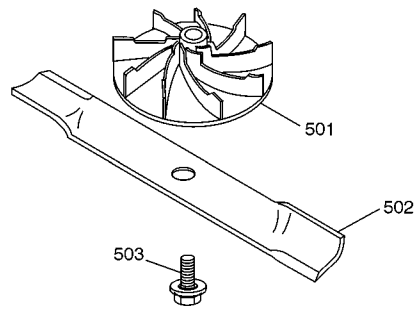
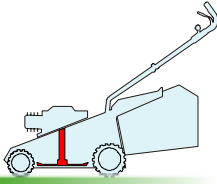


107

GLOBAL GARDEN PRODUCTS

5

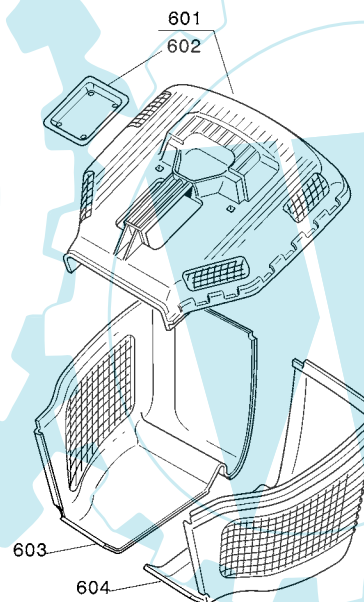
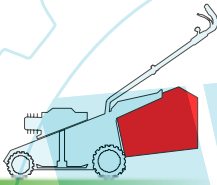
05D_033



Pos.	Code	Q.ty	Descrizione	Description	Description	Beschreibung	Remarks
501	22465603/0	1	MOZZO GIRANTE	HUB FAN	MOYEU VENTILATEUR	LÄUFENDENABE	
502	81004119/1	1	COLTELLO	BLADE	LAME	MESSER	
503	81004340/0	1	VITE	SCREW	VIS	SCHRAUBE	

6

06D_014B



Pos.	Code	Q.ty	Descrizione	Description	Description	Beschreibung	Remarks
601	22486115/0	1	PARTE SUP.SACCO	GRASSBOX UPPER PART	SAC, PARTIE SUPERIEURE	KORB OBERTEIL	
602	22486098/0	1	PIASTRINA	PLATE	PLAQUETTE	PLÄTTCHEN	
603	22486120/0	1	PARTE INFER. SACCO DX	GRASSBOX LOWER PART (R)	SAC, PARTIE INFERIEURE (D)	KORB UNTERTEIL (R)	
604	22486119/0	1	PARTE INFER. SACCO SX	GRASSBOX LOWER PART (L)	SAC, PARTIE INFERIEURE (G)	KORB UNTERTEIL (L)	